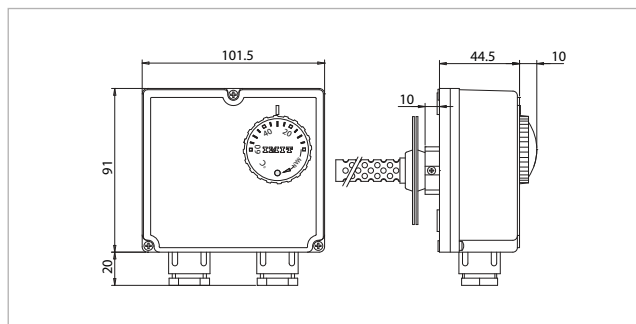


TTCA REGULATION BI-THERMOSTAT IN IP40 CONTAINER

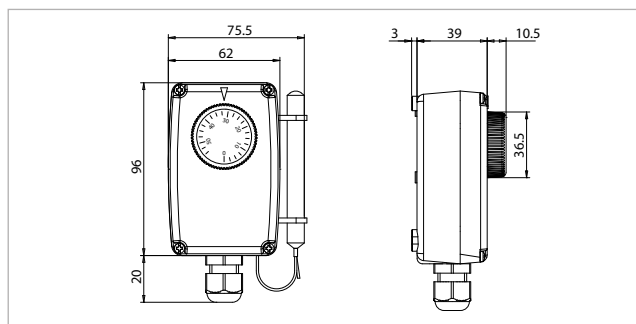


TTCA is a double regulation thermostat for burner control (internal regulation) and fan start or stop (external regulation).

Electrical contact capacity = 10 (2,5) A / 250 Vac
 Adjustable temperature FAN = 0°/60°C
 Internal adjustable temperature LIM = 30°/120°C
 Protection rating = IP40
 Max. head temperature = 80°C
 Max. bulb temperature = 150°C
 Certifications = CE, ENEC03, EAC

Code	Article	Description	Pack.
542860	TTCA	Ext. regulation thermostat 0/60°C, int. regulation 30/120°C, with perforated pocket 16*120mm	5
542870	TTCA	Ext. regulation thermostat 0/60°C, int. regulation 30/120°C, with perforated pocket 16*230mm	5
542873	TTCA	Ext. regulation thermostat 0/60°C, int. regulation 30/120°C, with 12*280mm boom pocket	5
542833	TTCA	Ext./int. regulation thermostat 0/90°C, with G ½" pocket 15*16*100mm	5

ETR REGULATION THERMOSTAT IN IP54 CONTAINER



ETR is an adjustable boxed thermostat for controlling temperature in various appliances, especially suitable for environments with a high degree of pollution. Protection rating IP54.

Differential = from 3 to 6°C
 Electrical contact capacity = 16(2,5) A / 250 Vac
 Max. operating temperature = 65°C
 Protection rating = IP54
 Certifications = CE, ENEC03, EAC

Code	Article	Description	Pack.
544400	ETR	Regulation thermostat 0/55°C with joined nickel-plated bulb 9.5*92mm	5
544401	ETR	Regulation thermostat -35/+35°C with joined nickel-plated bulb 9.5*92mm	5
544402	ETR	Regulation thermostat -35/+35°C with 2000mm nickel-plated capillary	5

Thermal central